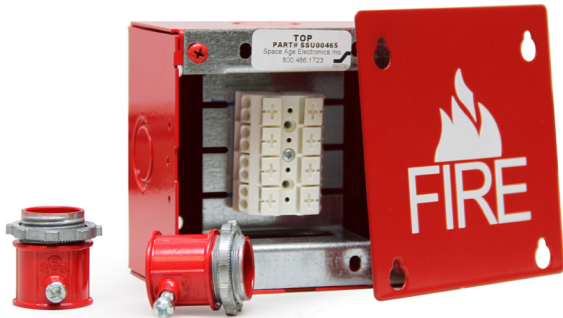


FB4

Fire Alarm Box



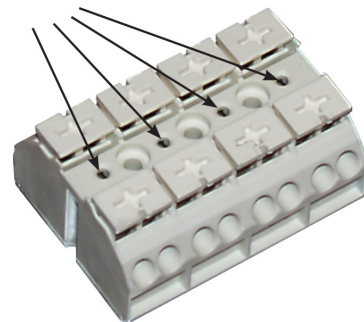
This economical kit comes with everything you need for quick termination of fire alarm circuits in a professional installation.

The FB4 was designed to aid in minimizing wiring cost and meeting code compliant UL 864 Rev. 9, Section 12.4 Field Wiring Applications and Section 89.1.2 Markings and Indication of Connection requirements. The FB4 Box also will meet NEC 760.30 requirements.

SPECIFICATIONS

The FB4 Fire Alarm Box 4" Square shall consist of one SAB Extra Deep Square Appliance Box, one BB4 Bucket 4" Square, one TTS Tool-Less Terminal Strip and one FP4 Fire Plate 4" Square. The 4" square extra deep appliance box and 4" square Fire plate will have a red finish. The FB4 Fire Alarm Box 4" Square will have one BB4 Box Bracket 4" square and one 4 Point TTS Tool-Less Terminal strip all mounted inside of back box. It will have the NFPA Fire Symbol and 1" Fire screened with white indelible ink and an address label on reverse side of FP4 Fire Plate. It also will contain two 3/4" Red EMT Conduit Connectors.

When properly installed, there will be no conductors exposed. All circuit testing can be performed via the individual test ports per circuit.

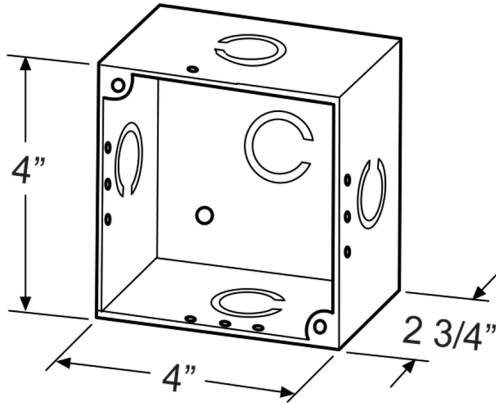


FEATURES

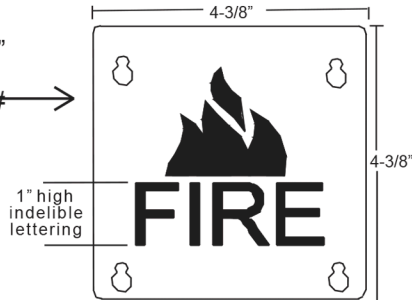
- One red 4" square extra-deep 16 gauge cold rolled steel NEMA 1 rated electrical appliance box
- Dimensions are 4" x 4" x 2 3/4" deep
- Five standard 1/2" and 3/4" EMT knockouts
- One red Fire plate with 1" lettering and NFPA Fire symbol screened with white indelible ink
- Address label for circuit identification
- One 4 point TTS Tool-Less Terminal Strip installed and mounted on 4" square 18 gauge galvanized box bracket



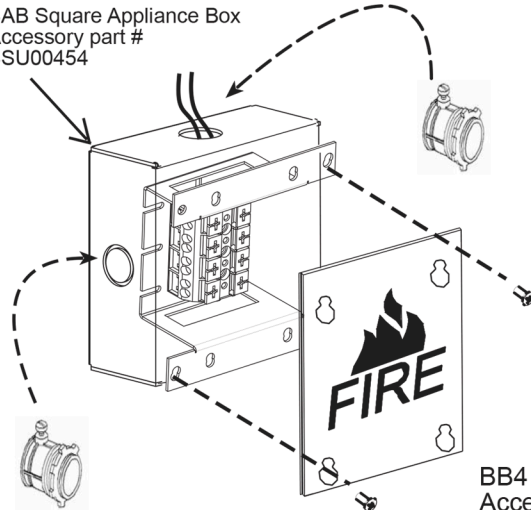
DIMENSIONS



FP4 Fire plate 4" Square
Accessory part #
SSU00460

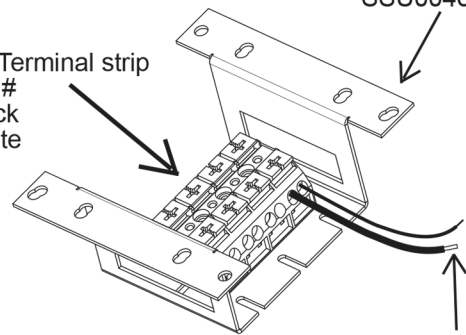


SAB Square Appliance Box
Accessory part #
SSU00454



BB4 Box Bracket
Accessory part #
SSU00465

TTS Tool-Less Terminal strip
Accessory part #
SSU00470 Black
SSU00471 White



Warning:
Do not use Aluminum Conductors with the TTS
Terminals per UL 864 Rev. 9 Sect. 12.4.

20 AWG Stranded under 1 point
and 12 AWG Solid under 2nd point

ORDERING INFORMATION

P/N# SSU00664
FB4 Fire Alarm Box

P/N# SSU00472
TTS Test Probe