

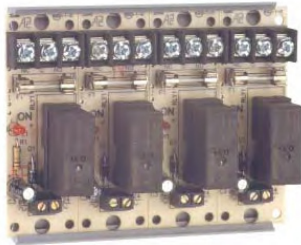
NO EXCUSES!

MR81

MR-810 Series Relays

The MR-810 Series Relays offer SPDT 10A resistive contacts which may be operated from either a 24VDC or a 24VAC control input. The input voltages are polarity sensitive and diode protected. The common output contact contains a 10A fuse which protects the contacts and load from over current. Each relay position contains a red LED which indicates when the relay coil is energized. Relays may be "snapped apart" from a standard 8 module assembly and used independently. Relays are available with snap track and mounting hardware or swage type spacers. A single MR-811, MR-812, MR-814 or MR-818 is also available mounted in a sturdy NEMA 1 enclosure.

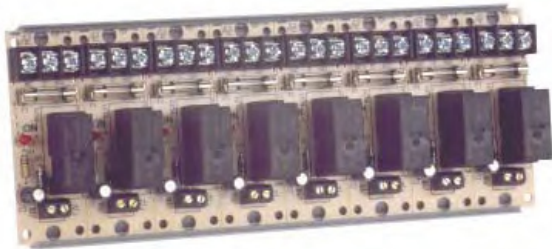
These devices are ideal for applications where protected control of up to 10A electrical loads are required. They are suitable for use with HVAC, Temperature Control, Fire Alarm, Security, Energy Management and Lighting Control Systems.



MR-814/T




MR-811/T



MR-818/T

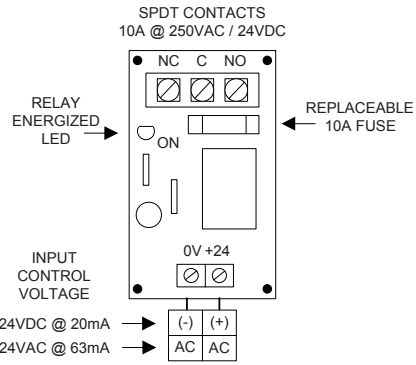
Standard Features:

- Each relay contains a high intensity LED indicating an energized coil status
- /C versions in dust proof metal enclosures with LED viewing port(s)
- /T versions include track mounting hardware to facilitate installation in standard cabinets
- UL recognized relays rated at 10,000,000 mechanical operations

 - Uses UL Recognized Components



**ISO 9001
REGISTERED
COMPANY**



Made In  U.S.A.



Space Age Electronics, inc.
www.1SAE.com
800.486.1723 Toll Free
508.485.0966 Local
508.485.4740 Fax

No Excuses, Just Solutions!

PRODUCT SPECIFICATIONS

MODEL NUMBER	MODULE POSITIONS	CONTACTS CONFIGURATION PER POSITION	PACER T MOUNTED M x W x D	RACK MOUNTED M H x W x D	ENCLOSURE MOUNTED H x W x D	COVER MATERIAL	
SSU-MR-811/S	1	SPDT	3.25" (83mm) 1.06" (27mm) 1.10" (28mm)				
SSU-MR-811/T				3.45" (88mm) 2.00" (51mm) 1.07" (27mm)			
SSU-MR-811/C						5.13" (130mm) 3.13" (79mm) P	Grey ABS 94V-O lastic
SSU-MR-811/C/R						2.50" (64mm) R	ed ABS 94V-O Plastic
SSU-MR-812/S	2	SPDT	3.25" (83mm) 2.12" (54mm) 1.10" (28mm)				
SSU-MR-812/T				3.45" (88mm) 2.13" (54mm) 1.07" (27mm)			
SSU-MR-812/C						5.13" (130mm) 3.13" (79mm) P	Grey ABS 94V-O lastic
SSU-MR-812/C/R						2.50" (64mm) R	ed ABS 94V-O Plastic
SSU-MR-814/S	4	SPDT	3.25" (83mm) 4.25" (108mm) 1.10" (28mm)				
SSU-MR-814/T				3.45" (88mm) 4.25" (108mm) 1.07" (27mm)			
SSU-MR-814/C						5.13" (130mm) 9.50" (241mm)	Plated 18ga CRS
SSU-MR-814/C/R						2.50" (64mm) R	ed 18ga CRS
SSU-MR-818/S	8	SPDT	3.25" (83mm) .50" (215mm) 1.10" (28mm)				
SSU-MR-818/T				3.45" (88mm) 8.50" (215mm) 1.07" (27mm)			
SSU-MR-818/C						5.13" (130mm) 9.50" (241mm)	Plated 18ga CRS
SSU-MR-818/C/R						2.50" (64mm) R	ed 18ga CRS

POWER REQUIREMENTS: 24VDC @ 20mA
(per position) 2 4VAC @ 63mA

COIL DATA: 24VDC/VAC nominal; Pick-up = 19.2VDC; Drop-out = 3.6VDC; Max. = 26.4VDC

COMPONENTS: Uses UL Recognized Components

POLARIZED: Yes

ENERGIZED LED INDICATOR: One per module position

CONTACT RATINGS: R resistive load: 10A @ 24VDC / 250VAC

ENVIRONMENTAL: 32°F to 120°F (0°C to 49°C) @ 85% RH, Non-condensing, Non-freezing

WIRING: Solid or stranded; #14 to #22 AWG terminals

FUSE: 10A field replaceable 0.25" Dia. X 0.75" L buss type

/S VERSIONS: Aluminum spacers provided with #8 X 7/8" screws

/T VERSIONS: 3.5" wide, low profile plastic snap track provided with mounting screws

/C VERSIONS: Backbox: 18ga CRS, plated with 1/2" conduit knockouts top and bottom



Space Age Electronics, inc.
www.1SAE.com
800.486.1723 Toll Free
508.485.0966 Local
508.485.4740 Fax

No Excuses, Just Solutions!

This document is subject to change without notice, see doc # ED0479 for legal disclaimer