

**NO
EXCUSES!**



Code/Graphic Frame

The CGF Code/Graphic Frame is a durable metal housing that will protect your image or message. The frame is manufactured from 18 gauge steel with a baked-on red paint finish. A clear shatter proof Lexan® protective window insures your message or graphic remains safe and visible.

The design is aesthetically pleasing and cost effective. The slim 1/4" trim maximizes your area of visible message or graphic. The design features a fastening tab to secure your message. Also the concealed hardware eliminates tampering or vandalism.



Shatter proof
Lexan® window

Common Uses

- Evacuation map
- Emergency instructions
- Code frame
- Location indication map
- Building floor plans

Standard Features:

- Durable 18 gauge construction
- High aesthetic red baked-on finish
- Easy field assembly and image updates
- Custom colors available
- Shatter proof Lexan® glass
- Adjustable for different media types (from paper to 3/8" thick material)
- Overall dimensions:
8 3/4" x 11 1/8" x 1/2" deep

Ordering Information:

Part #	Description
SSU52010	CGF Code/Graphic Frame - red



ISO9001
REGISTERED



Annunciators

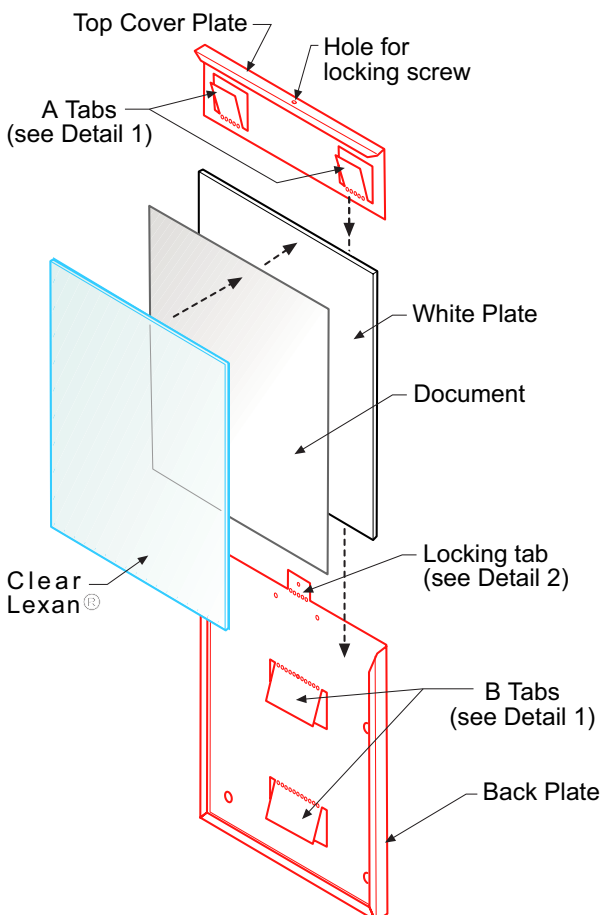
Space Age Electronics, Inc.
406 Lincoln Street
Marlboro, MA 01752-2195
www.1sae.com
800.486.1723 voice
508.485.0966
508.485.4740 fax

Specification:

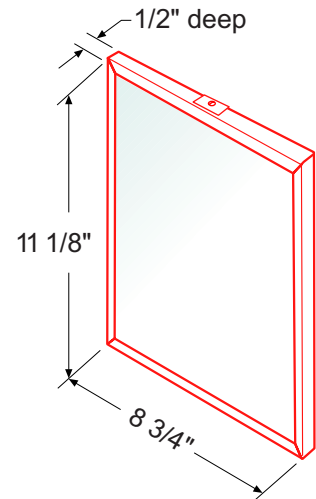
The **CGF Code/Graphic Frame** will allow for easy image display updates without the need to remove the frame from the wall. The top securing plate has an optional security screw to prevent tampering of information secured inside frame. The frame is constructed from 18 gauge CRS with a red baked-on powder coat textured finish. Dimensions are 8 3/4" x 11 1/8" x 1/2" deep. Image or display is protected between a polycarbonate shatter proof crystal clear Lexan® cover with a 1/16" thick white aluminum back plate to support image. The unit has concealed mounting hardware not accessible when the unit is fully assembled. Code/graphic frame shall be a Space Age Electronics CGF series code frame.

Installation Procedure

- Remove top cover plate from unit.
- Push A & B tabs towards the inside of the plates, on both back plate and top plate (see Detail 1).
- Mount back plate to wall, with opening up.
- Place document on white plate, place clear Lexan® over document.
- Slide all three pieces into back plate. Plate should push against tabs.
- Slide top plate into opening at top of back.
- Bend locking tab down and insert screw (see Detail 2).



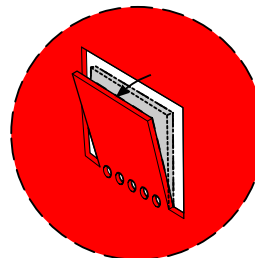
Dimensions



Equipment Supplied

- 1 Back Plate
- 1 White Plate
- 1 Clear Lexan® Window
- 1 Top Cover Plate
- 1 Locking Screw

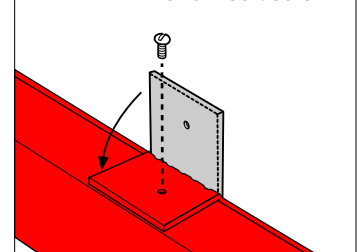
Detail 1



Push tabs out about 1/4"

Detail 2

Bend tab down and insert screw



Annunciators

Space Age Electronics, Inc.
 406 Lincoln Street
 Marlboro, MA 01752-2195
www.1sae.com
800.486.1723 voice
 508.485.0966
 508.485.4740 fax