

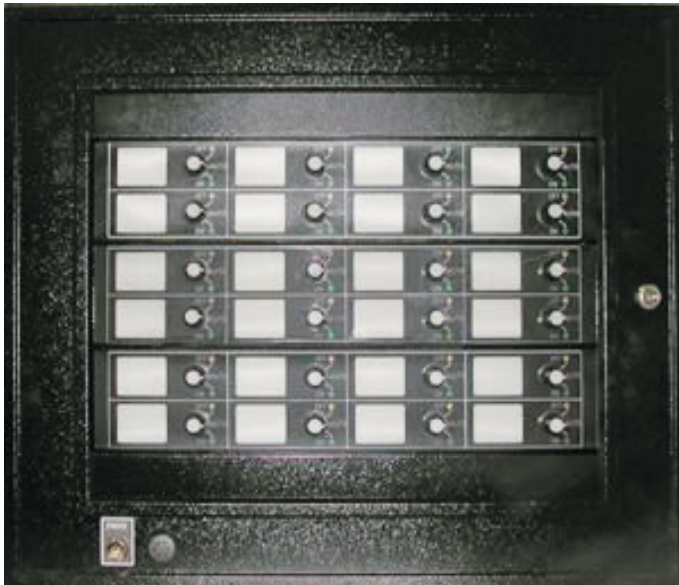
**NO
EXCUSES!**



TSC

Tabular Smoke Control Annunciator

The TSC Tabular Annunciator provides reliable manual air control and status of remote equipment such as fans and ducts. HOA (hand-off-auto) switches and pilot lamps are mounted in a tabular grid that blends with and compliments other SAE Tabular and Graphic displays.



Size C
Annunciator

Standard Features:

- Choice of seven standard cabinet sizes (A, B, C, D, F, H and J)
- .020 scratch resistant Lexan® window
- Flush (flange available) or surface mounting
- Stainless steel piano hinge with CAT 30 keyed door lock
- Red or black textured enclosure finishes
- 24VDC operation
- 3 position control switch per zone
- 2 status LED's per zone
- 1 or 3 amp dry contact output per zone
- Piezo audible horn alarm
- Override panel engage key switch

UUKL listed with proper configuration

MEA STATE OF NEW YORK



ISO9001
REGISTERED



Not all certifications apply to all units.

Annunciators

Space Age Electronics, Inc.
406 Lincoln Street
Marlboro, MA 01752-2195
www.1sae.com
800.486.1723—voice
508.485.0966
508.485.4740—fax

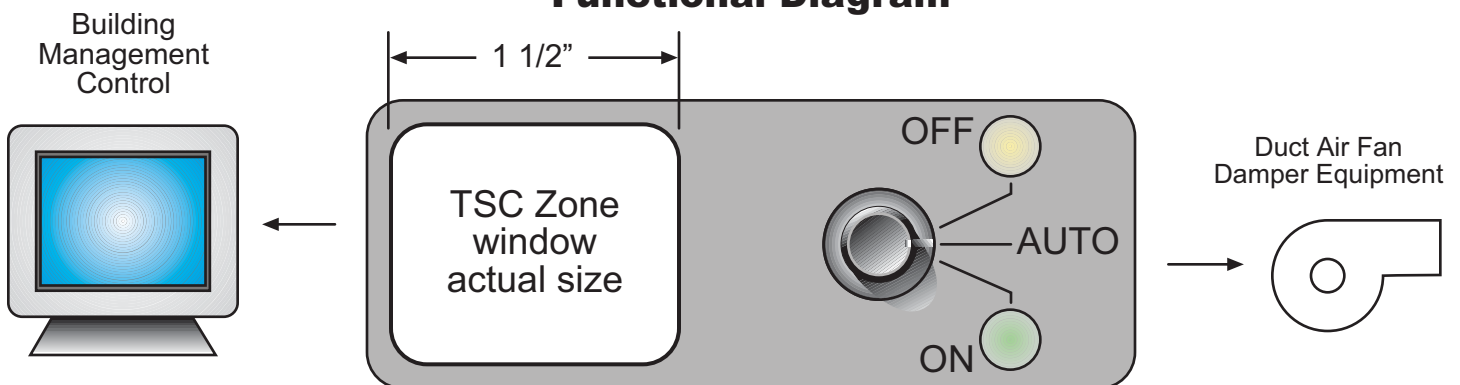
Description:

The **TSC Tabular Smoke Control Annunciator** is configured for indoor mounting, and consists of a scratch resistant Lexan® face panel and extruded aluminum cover frame with a choice of several standard cabinet sizes. The backbox is constructed of extruded aluminum with flush or surface mount preference. Enclosure available with a red or black textured finish with a solid stainless steel piano hinge. The cover employs a high security CAT 30 keyed door lock for secure, easy access to the graphics and electronics. The TSC operates on 24VDC. Two status LED's per zone, one yellow "OFF" LED and one green "ON" LED with one positive position rotary switch and 1 or 3 amp dry contact output per zone. The LED's mount into clear bezels and are secured with snap rings. Control switches and LED indicators are socked and individually replaceable without requiring disassembly of the panel or any special tools. The TSC includes an override panel engage key switch and Piezo audible horn alarm. Field wiring runs to high barrier terminal strips with cable(s) leading to plug-in connectors.

Specification:

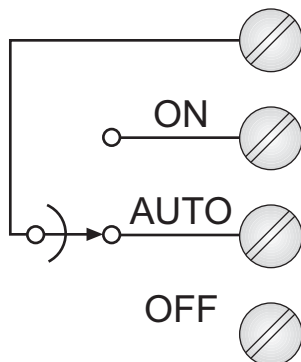
A key switch must be engaged to allow the switch position information to be transferred to the output contacts. A trouble horn and a form 'C' output relay are energized if a switch is moved to an "ON" or "OFF" position without the activation of the Engage key switch. Each circuit is field configurable to allow the indicators to be illuminated by the remote sensing devices or by the control switch itself. A contact closure and common are provided for each switch position. (See typical control schematic below)

Functional Diagram



Other alternatives are available, contact SAE for more information.

Typical Control Circuit Schematic



Voltage: 2VDC
 Current Draws
 Base; 50 mA
 LED's (each); 15mA
 Control relays (each zone): 10mA (standard)
 25mA (high power)

Control Relay Contacts:
 1A @ 24VDC (standard)
 3A @ 24VDC (high power)

Ordering Information:

Contact SAE for details.

Annunciators

Space Age Electronics, Inc.
 406 Lincoln Street
 Marlboro, MA 01752-2195
 www.1sae.com
800.486.1723—voice
 508.485.0966
 508.485.4740—fax