

**NO
EXCUSES!**

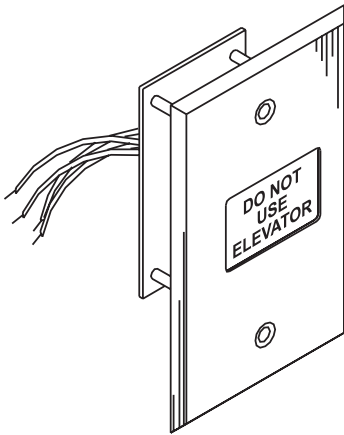


Annunciator Plate

The SGA Annunciator Plate is designed for elevator public safety announcements. When activated the legend reads "DO NOT USE ELEVATOR" and when dormant it becomes a dead front display. The SGA is field proven and has an aesthetically pleasing design.



Activated Legend



SAE P/N: SSU00620

Standard Features:

- 24VDC operation
- Two backlit flashing incandescent lamps
- Single gang stainless steel vertical grain face plate
- Mounts quickly to a single gang device box (min. 1 3/4" depth, box sold separately)
- Accessible PC board
- Mounting hardware included
- Dimensions:
2 3/4" wide x 4 1/2" high x 1 1/2" deep

Current Draw
120 mA @ 24 VDC

Voltage Range
20-30 VDC



ADA



ISO9001
REGISTERED



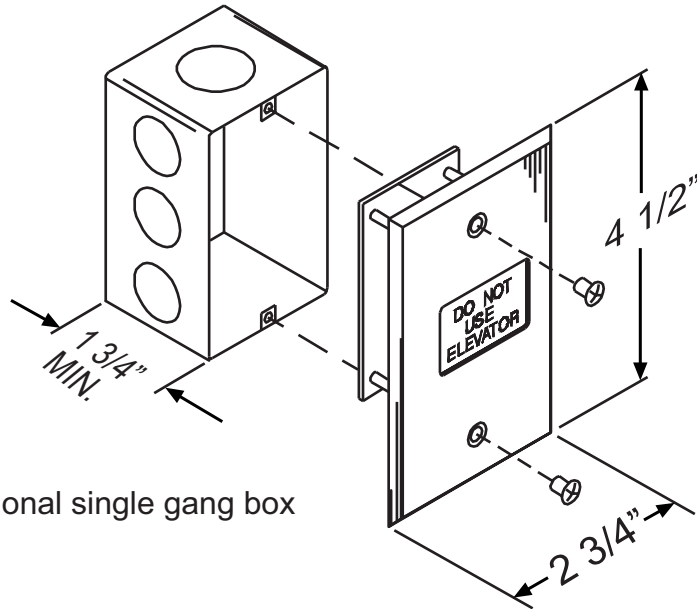
Made In U.S.A.

Annunciators

Space Age Electronics, Inc.
406 Lincoln Street
Marlboro, MA 01752-2195
www.1sae.com
800.486.1723—voice
508.485.0966—fax
508.485.4740—fax

Description:

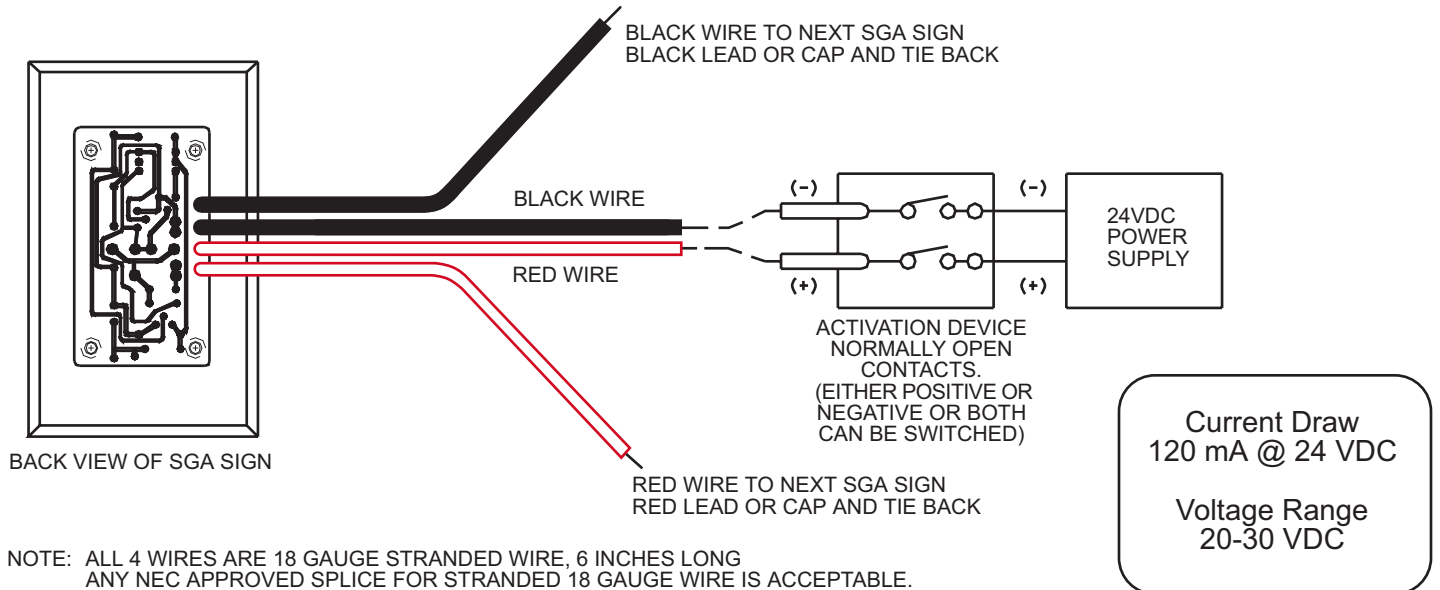
The **SGA Annunciator Plate** is assembled with a single gang stainless steel vertical grain face plate. Two backlit incandescent lamps flash when activated, displaying "DO NOT USE ELEVATOR" and when dormant it becomes a dead front display. The SGA operates in 24VDC and features an accessible PC board. Mounting hardware is included to mount to a single gang device box (min. 1 3/4" depth). Overall dimensions measure 2 3/4" wide by 4 1/2" high by 1 1/2" deep.



Unit is shown with optional single gang box

Specification:

The activated 24VDC signal causes the dual incandescent lamps to flash, illuminating the red nomenclature with black background which activates upon a contact closure with a positive or negative switched input.



Ordering Information:

Part #	Description
SSU00620	SGA Annunciator Plate

Annunciators

Space Age Electronics, Inc.
406 Lincoln Street
Marlboro, MA 01752-2195
www.1sae.com
800.486.1723—voice
508.485.0966
508.485.4740—fax