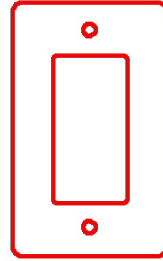


NO EXCUSES!

Infinity



IAM



Infinity Annunciator Modules

The IAM part of the *Infinity* Series is the evolution of the original DM-4 Series. This is the basic LED Annunciator package for the *Infinity* Line. Other models include the Audible Module, the Auxiliary Switches and any of the specialty modules in Annunciator side of the Infinity Series.

The Zone Module (IAM4Z) can be used alone as a four zone annunciator or can be grouped with other IAM devices to expand its zone capacity.

The Audible Module (IAMAUD) can be used as a single zone annunciator or can be grouped with one or more IAM zone annunciator modules.

The Auxiliary Switch Module (IAMAUX) gives you the flexibility of specifying key or rocker switch alone or in combination with other IAM modules.

Some of the specialty applications include Reset, Acknowledge, Lamptest, etc...

Options:

The *Infinity* IGP faceplate houses 1-6 modules in standard or multiple gang electrical back box (refer to our IGB back boxes for housing up to 6 units).

Standard Features:

- Cover switch plates are scalable to meet your capacity
- Utilizes standard *Infinity* IGP plate design that allows adaptation to surrounding architectural design features
- Red, white, stainless steel & yellow available
- Legend sheet is protected by a scratch resistant Lexan® viewing window
- IGP plate is removable to allow for easy access to field wiring and trouble shooting
- Durable steel frame mounts into an Infinity GSB Box or a standard electrical back box.



ISO 9001
REGISTERED
COMPANY

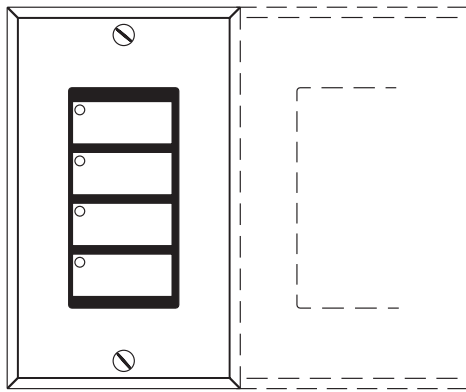


AlerteM

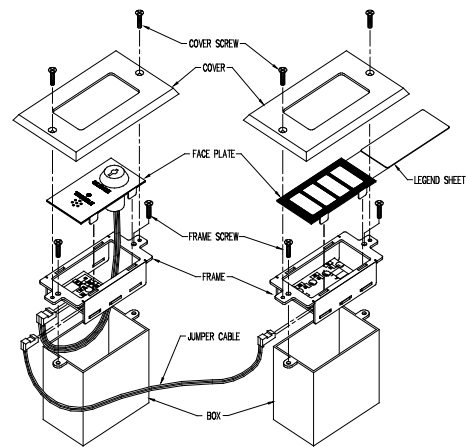
Space Age Electronics, Inc.
www.1sae.com
800.486.1723 voice
508.485.0966 direct
508.485.4740 fax

Specifications:

The IAM *Infinity* Annunciator Module shall be assembled with UL Listed components (IAM4Z & IAMAUD). The utilization of standard or multi-gang electrical mounting boxes and 1 - 6 gang capacity of the *Infinity* style face plates creates building blocks to produce job specific applications. The IAM4Z shall be 4 zones of LED annunciation, multiples can be ganged together as the size of the job requires. The IAMAUD is an Alarm/Trouble/Supervisory audible annunciator and the IAMAUX is a (non-UL) series of Auxiliary Function Switches. Any IAM device can be utilized in conjunction with any ICM or IAV device in the *Infinity* line.



Modular design expandable to accommodate up to six modules



Two modules with appropriate *Infinity* face plate illustrate the assembly and modularity of the IAM Series

Agency Approvals:

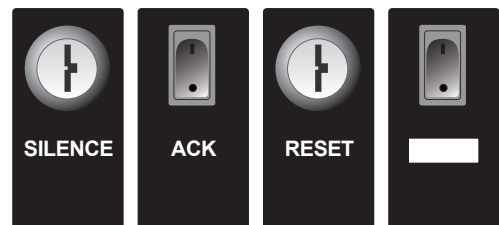
UOXX.S2580 UL Listed Control Unit Accessories

Standard Label Options Supplied

Standard Switch Labels:

SILENCE ACK. RESET BLANK

Key Rocker Key Rocker



AlerteM

Space Age Electronics, Inc.
www.1sae.com
800.486.1723 voice
508.485.0966 direct
508.485.4740 fax

No Excuses, Just Solutions!