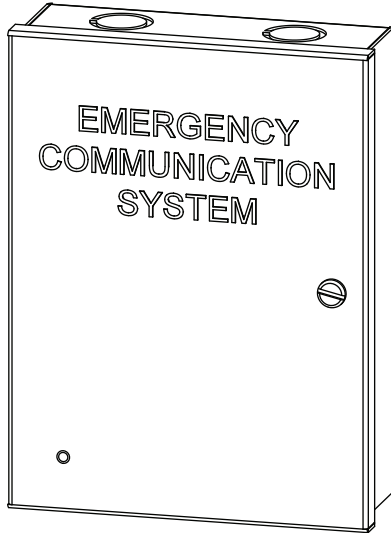


Installation Instructions

Installation and wiring should be performed by qualified personnel only - Equipment damage and/or malfunction may result from improper installation. All work of any kind shall be performed to meet the requirements of any and all local, state and federal codes and/or standards set by the authority having jurisdiction.



Installation environment:
INDOOR DRY

Installation Procedure

- Remove from packaging and open box.
- Open door and lift away cover.
- Remove internal plate with module. Before performing any drilling or punching for conduit entry(s), remove 6-32 nuts holding plate with isolator module in place and remove from enclosure (Figure A). Keep hardware.
- Attach enclosure to surface where it is supposed to be installed with appropriate hardware.
- Install plate with module into enclosure using original hardware.
- Wire module as appropriate for the system.
- Set module address according to site layout.
- Replace door and secure.

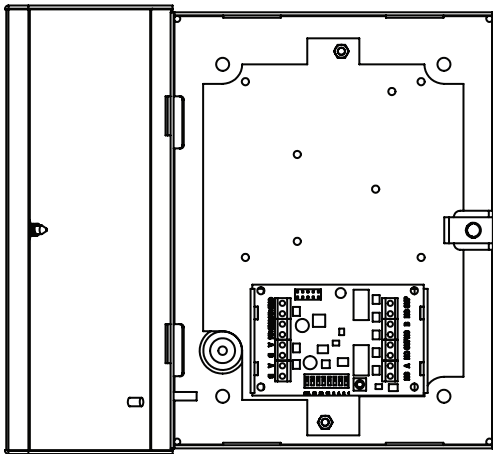
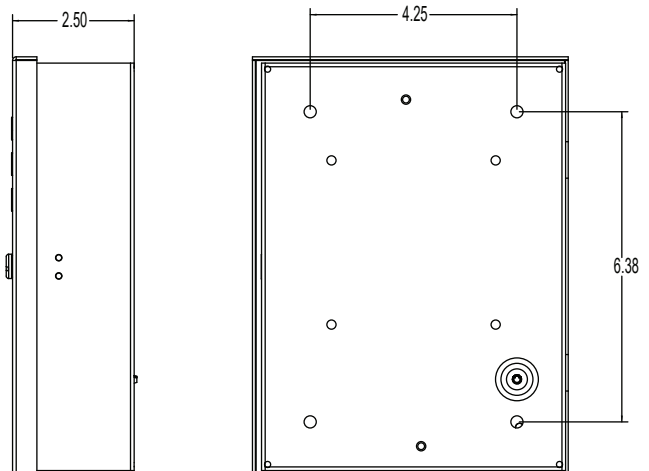
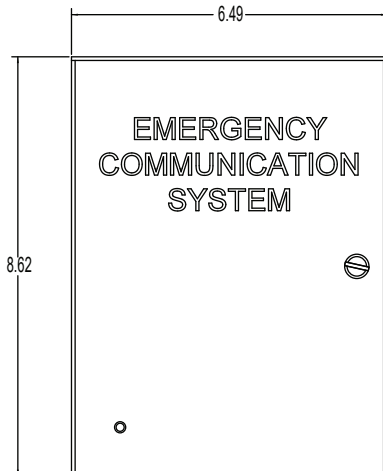
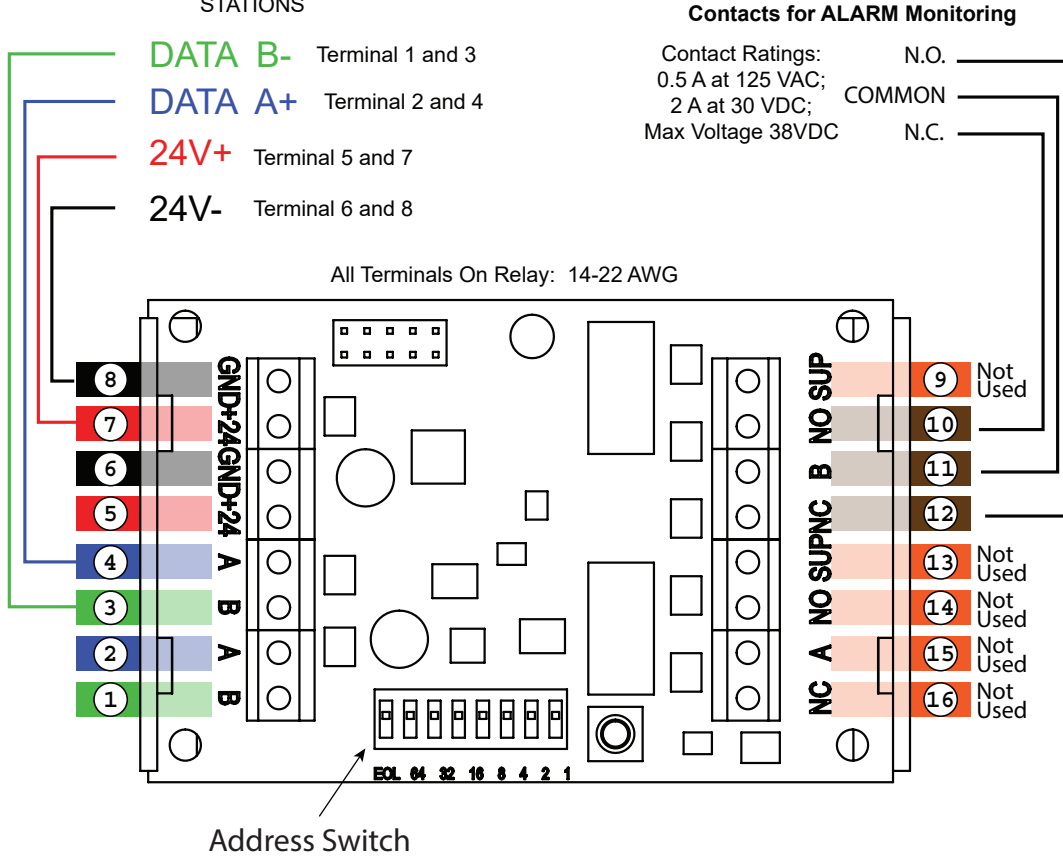


Figure A. Removing plate from box.



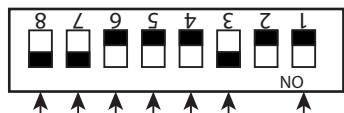
CLASS B WIRING TO
MODULE AND COMMUNICATION
STATIONS



CAUTION - When Making Installation, Route Field Wiring Away From Sharp Projections, Corners And Internal Components.

Contains Static Sensitive Components.

Module Address Setting



DEFAULT SHIPPING CONFIGURATION SHOWN.
Module Address = 35

Address Value 1 2 4 8 16 32 EOL

Switch 1 is EOL. To be switched in on position on last device only if necessary.

Addressing is a binary setting. The lowest number that can be used by ANY remote is 3 (default address). To increase the address add all of the switch number values.

Examples:

