

## Installation Instructions

Installation and wiring should be performed by qualified personnel only - Equipment damage and/or malfunction may result from improper installation. All work of any kind shall be performed to meet the requirements of any and all local, state and federal codes and/or standards set by the authority having jurisdiction.

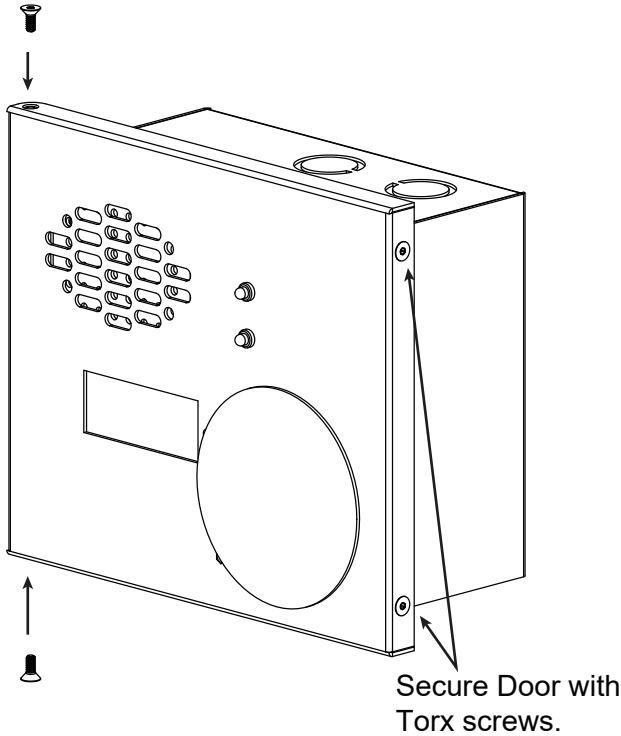


Figure A. Box with cover closed.

### Equipment Supplied

- Shield remote cover assembly.
- Screw kit with (4) 6-32 torx screws and bit.

### Installation Procedure

- Remove from packaging and open box.
- Remove screws and bit from screw kit and prepare to assemble.
- Attach cover to box, slide cover hinge hole over Bottom Hinge Post and up, then hook on Top hinge post. Attach two of the supplied Torx screws as shown in figure A.
- REMOVE JUMPERS IN PCB as shown in Figure C.
- Plug in cable assembly to board in back box as shown in figure B.
- Address Board as shown in "Module Address Setting"
- Close door and secure with remaining 2 Torx screws as shown in Figure A.

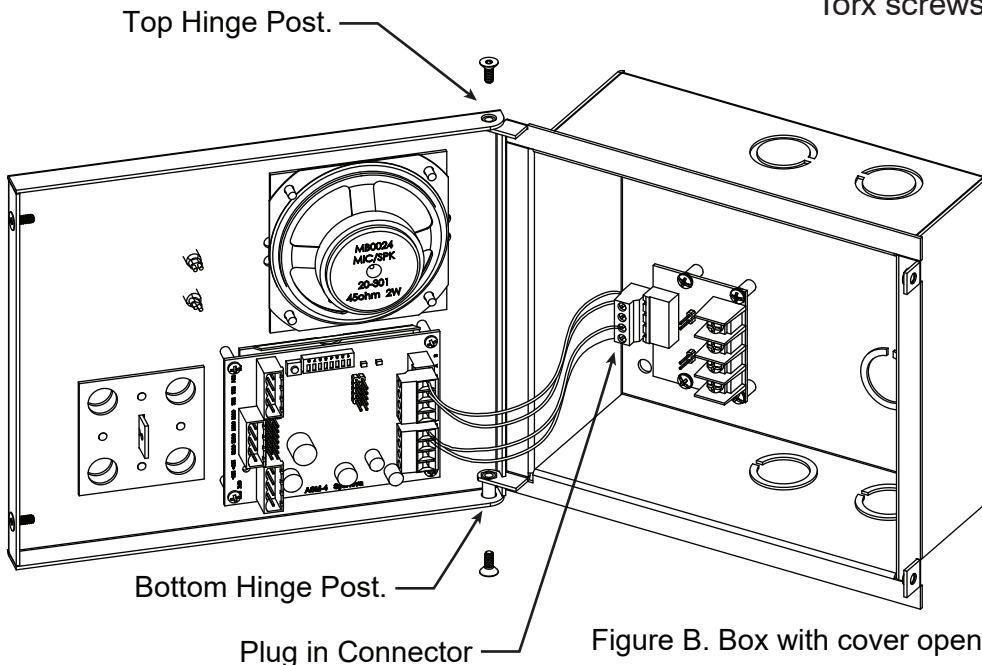


Figure B. Box with cover open.

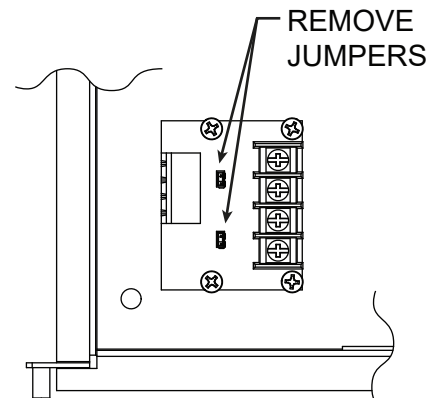
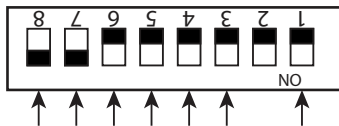
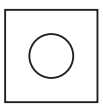


Figure C. Box PCB.

# Module Address Setting

As shown on board looking at the back of the door.

Reset  
Switch



DEFAULT SHIPPING CONFIGURATION SHOWN.  
Module Address = 3

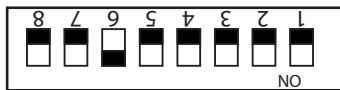
**Address Value** 1 2 4 8 16 32 **EOL**

Switch 1 is EOL. To be switched in on position on last device only.

Addressing is a binary setting. The lowest number that can be used by ANY remote is 3 ( default address). To increase the address add all of the switch number values.

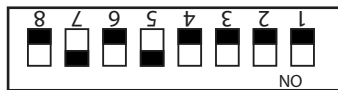
## Examples:

Address 4



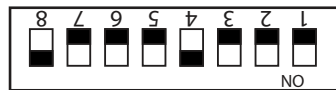
$$4 = 4$$

Address 10



$$2 + 8 = 10$$

Address 17



$$1 + 16 = 17$$